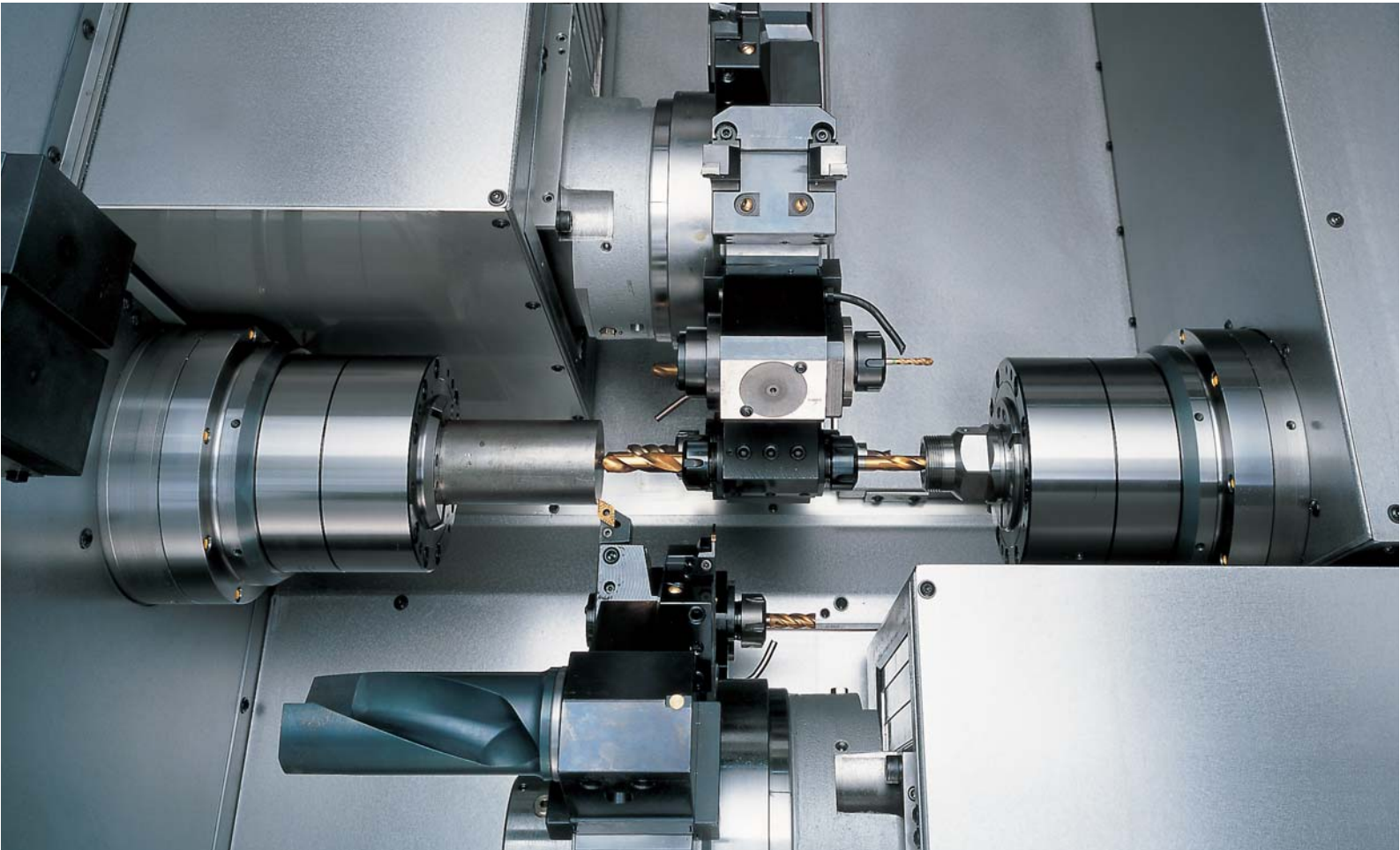


Turn-mill center

with new

control TX8i



TNC42
TNC65



TNC42 and TNC65

Turn-mill centers

TRAUB TX8i control

The TRAUB turn-mill centers TNC42 and TNC65 are now equipped with the new powerful TX8i control.

It offers 100% compatibility to all prior versions with a notably increased efficiency.

Besides the reduced cycle- and block change times special focus was set on operating ergonomics.

Thus you save time twice:

Easy and fast set-up and short cycle times.

The highlights at a glance:

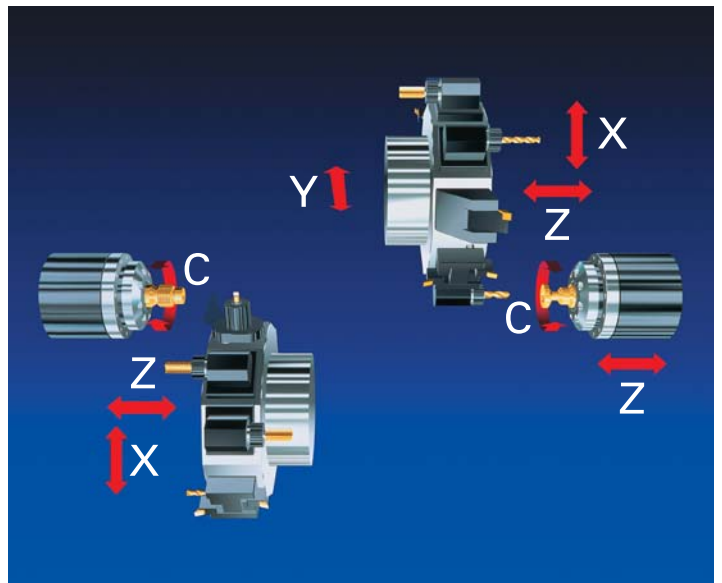
- 3D simulation
- Electronic handwheel
- Tool monitoring
- 3 tools in 2 subsystems
- New programming cycles
- 180% quicker
- WinCNC as standard
- Diagnostic tools
- Ethernet interface

		TNC42	TNC65
Bar capacity	mm	42	65
Turning length	mm	450	450
Chuck diameter	mm	175	175
Turret x station		2 x 10 (14)	2 x 10 (14)
Tool system DIN69880	mm	30	30
Y-axis		1	1

For more detailed information please ask for our brochure TNC



0805 HD Printed in Germany Subject to change without prior notice



TRAUB Drehmaschinen GmbH & Co. KG

Hauffstraße 4

73262 Reichenbach

Telefon (07153) 502-0

Telefax (07153) 502-694

www.traub.de

