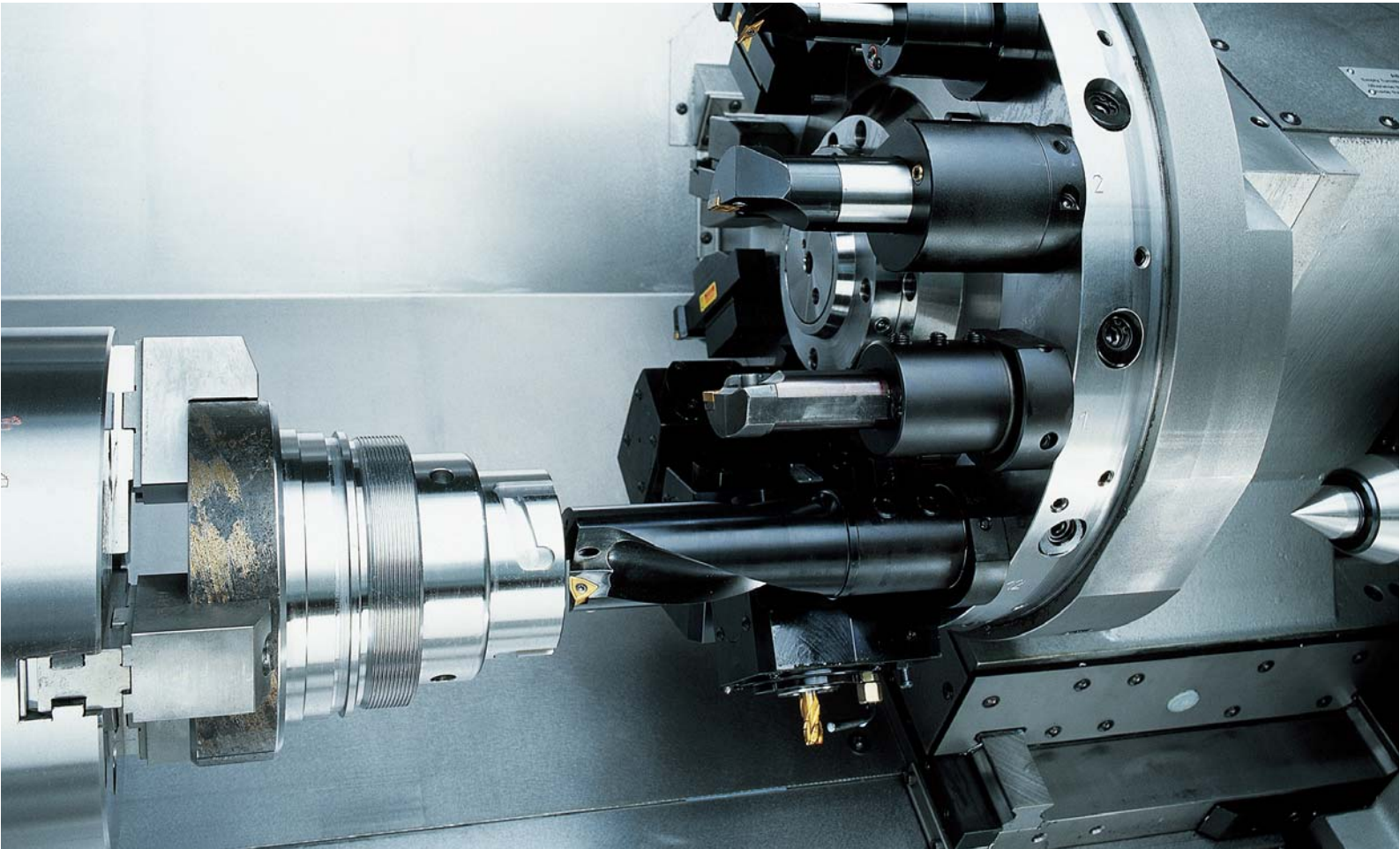


Universal turning machines

with new

control TX8i



TNA300

TNA400



TNA300 and TNA400

Universal turning machines

TRAUB TX8i control

The TRAUB universal turning machines TNA300 and TNA400 are now equipped with the new powerful TX8i control. It offers 100% compatibility to all prior versions with a notably increased efficiency.

Besides the reduced cycle- and block change times special focus was set on operating ergonomics.

Thus you save time twice:

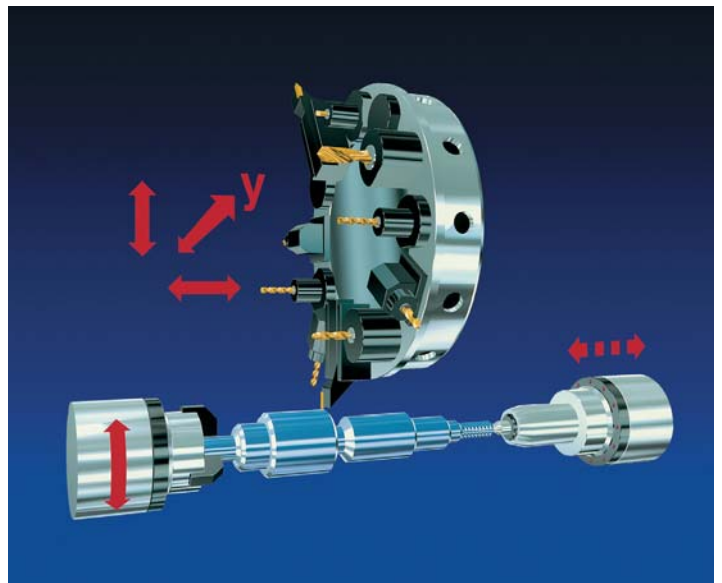
Easy and fast set-up and short cycle times.

The highlights at a glance:

- 3D simulation
- Electronic handwheel
- Tool monitoring
- New programming cycles
- 180% quicker
- WinCNC as standard
- Diagnostic tools
- Ethernet interface

		TNA300	TNA400
Bar capacity	mm	42/65	65/80
Turning length	mm	450	750
Chuck DIA	mm	175/250	260/315
Turret x stations		1 x 12	1 x 12
Tool system DIN69880	mm	30	40
Y-axis		1	1

For more detailed information please ask for our brochure TNA300 and TNA400.



TRAUB Drehmaschinen GmbH & Co. KG
Hauffstraße 4
73262 Reichenbach
Telefon (07153) 502-0
Telefax (07153) 502-694
www.traub.de

